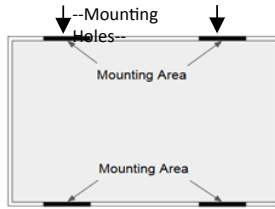


# Quick Guide – Tesseract Layout

## Choosing Roof Mounting Columns

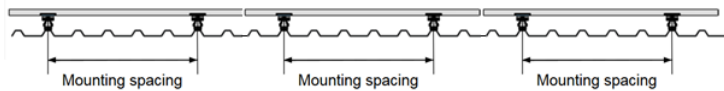
- 1 Tesseract Z Mounts located near panel mounting holes



- 2 Mount spacing determines roof mounting columns

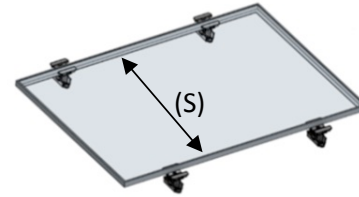


- 3 Add panel to panel spacing to determine array roof mounting columns

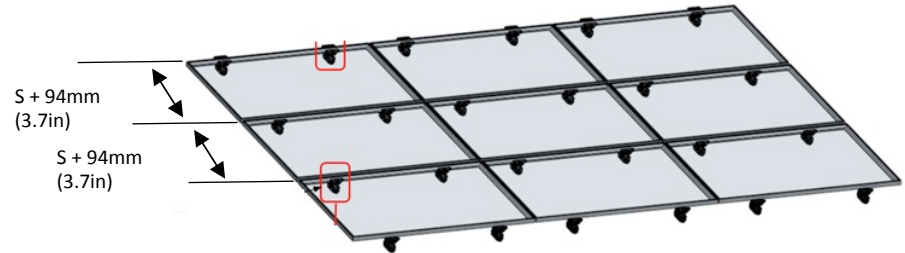


## Determining Row Spacing

- 1 Measure the distance (S) between inner flanges on the short or long side of the module

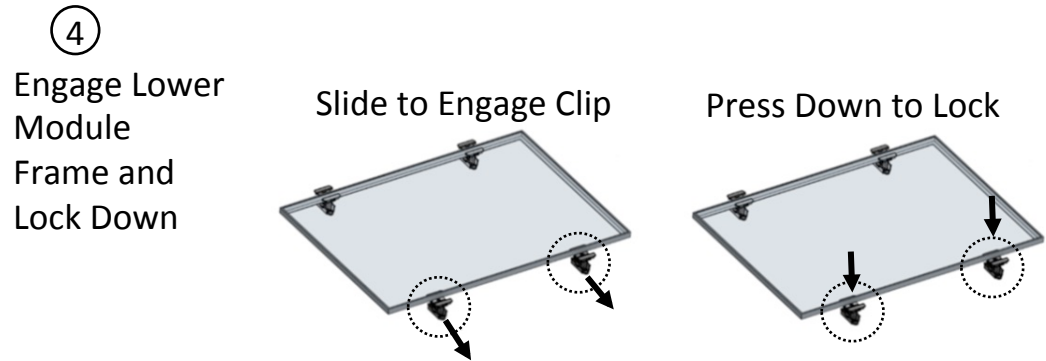
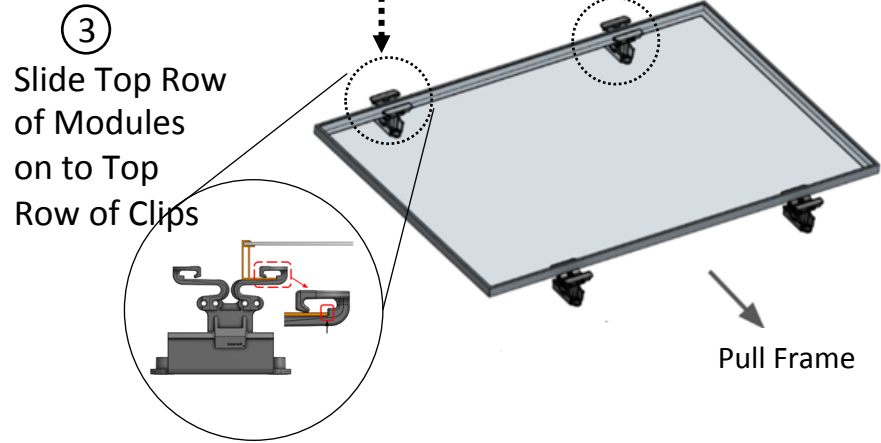
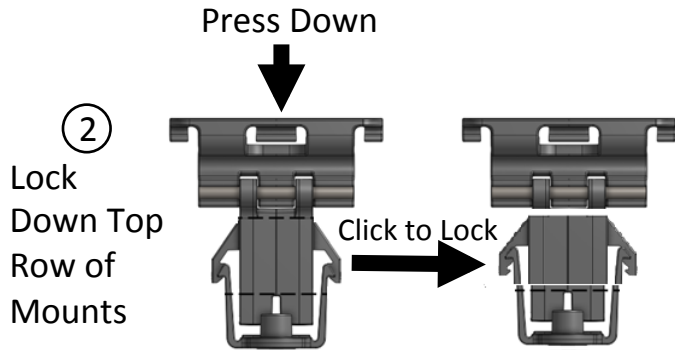
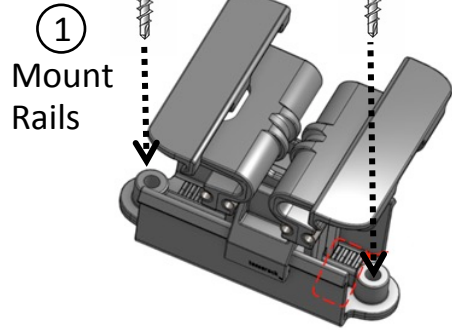


- 2 Distance between mounts =  $S + 94\text{mm}$  (3.7in)



Refer to Tesseract Z Installation Guide for panel specific mounting dimensions and more detailed instructions

# Quick Guide – Tesseract™ Z Installation



Refer to Tesseract Z Installation Guide for more Detailed Instructions