

8

7

6

5

4

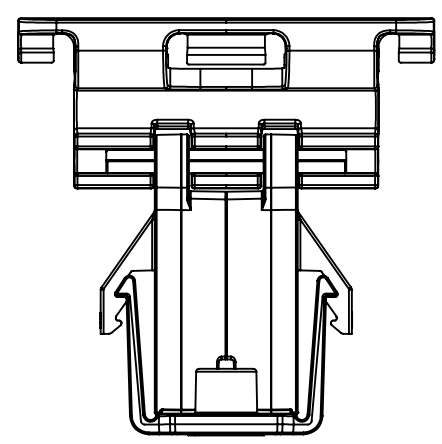
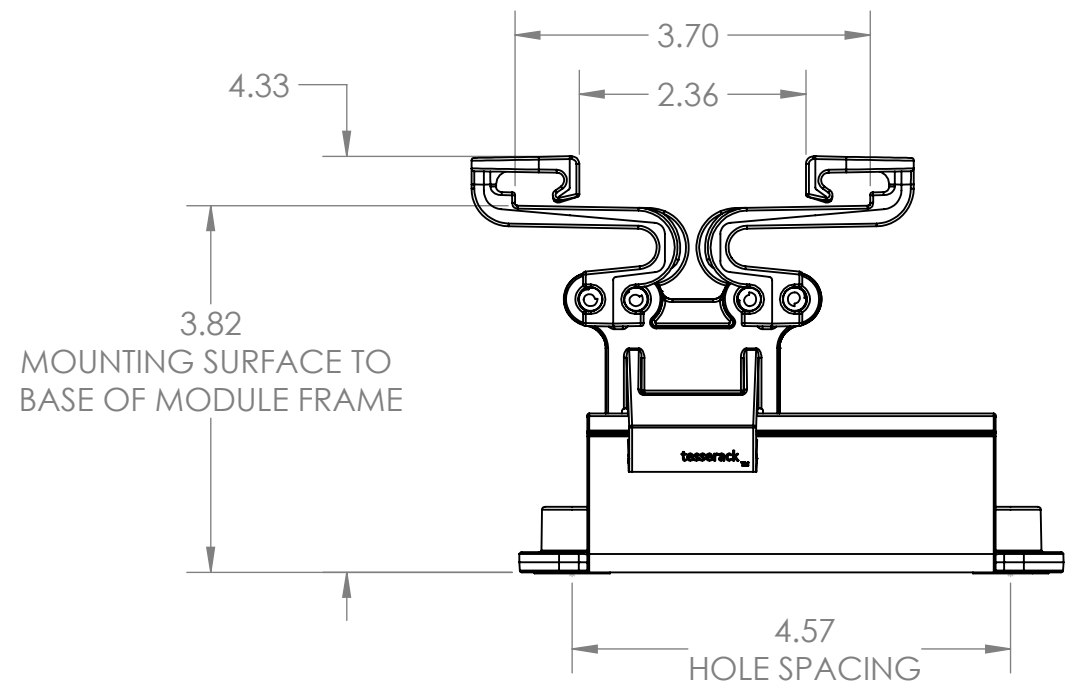
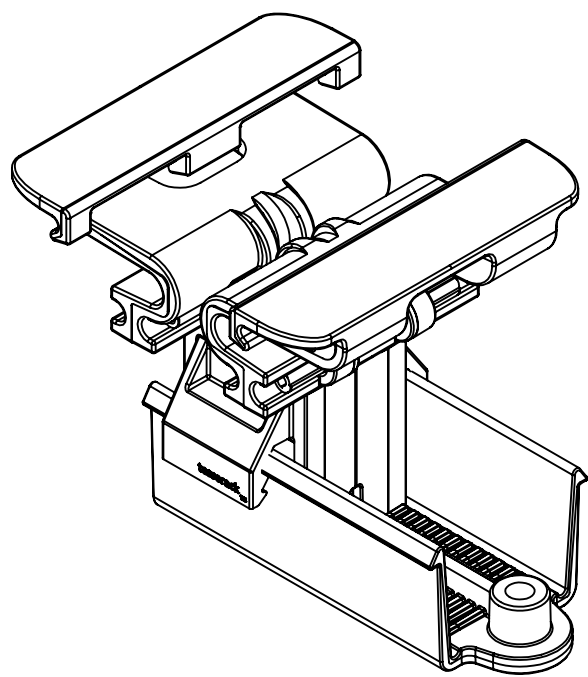
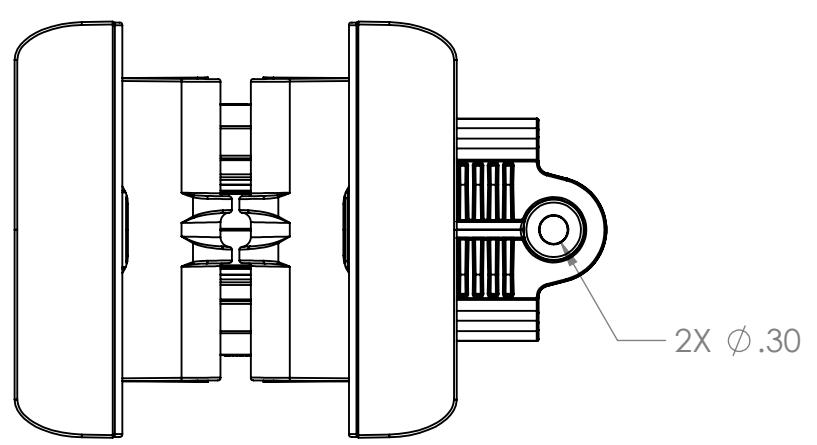
3

2

1

NOTES: UNLESS OTHERWISE SPECIFIED

1. ALL DIMENSIONS IN INCHES



UNLESS OTHERWISE SPECIFIED: DIMENSIONS ARE IN INCHES. INTERPRETATION OF THIS DRAWING SHALL BE IN ACCORDANCE WITH STANDARD ASME Y14.5-2009	DRAWN	NAME M. CUMMINGS	DATE 23 MAY 2018
	CHECKED		
	ENG APPR.		
	MFG APPR.		
	Q.A.		
DO NOT SCALE DRAWING	PROPRIETARY AND CONFIDENTIAL THE INFORMATION CONTAINED IN THIS DRAWING IS THE SOLE PROPERTY OF TESSOLAR INC. AND ASSIGNEES. ANY REPRODUCTION IN PART OR IN WHOLE WITHOUT THE WRITTEN PERMISSION OF TESSOLAR INC. IS PROHIBITED.		

TESSOLAR INC. 10 STATE STREET, WOBURN, MA, 01801		
TITLE: TESSERACK MOUNTING SYSTEM, INSTALLATION FEATURES		
SIZE B	DWG. NO. 0049	REV B
SCALE: 1:2	WEIGHT:	SHEET 1 OF 1

8

7

6

5

4

3

2

1

D

D

C

C

B

B

A

A